

Circulation Accessories



Flush Deck Grating, Main Drains, Eyeballs & Suction Fittings

Better circulation means a cleaner pool

Waterco's Flush Deck Grating, installed around the edge of the pool, will boost skimming performance so leaves and debris are easily flushed away. When combined with the Floor Inlet, water is circulated back into the pool from the bottom up. The pool water is circulated uniformly, ensuring there are no 'dead spots'.



Flush Deck Grating

- > Modular section – easy fitting especially around curves and bends
- > Moulded pattern surface – non slip surface
- > Flush fitting – no protrusion to pool surround
- > Safe even water flow – maximum surface skimming

Floor Inlet Fitting

- > 40 x 50mm
- > Adjustable
- > Slip fit tail slots for easy access into 40/50mm pipe
- > Suction area of 7500mm²
- > Max flow rate 245 lpm



Adaptable

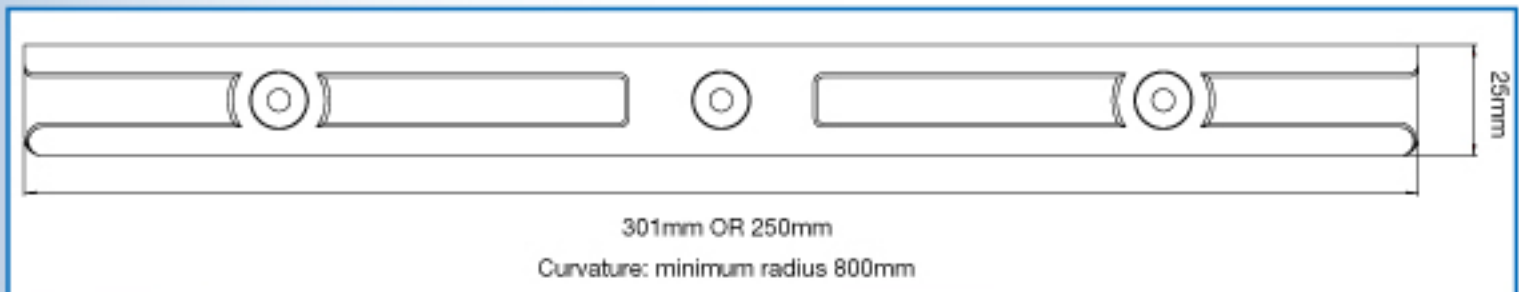
The grates are easy to fit around the curves of free form pools and each section can be removed easily when cleaning the drain trench. The unique wave design on each section of the grating also provides grip to keep the edge of your pool safe for swimmers.

I Section Design

The grate design incorporates an "I" section to maximize strength and durability of the grating. Both the grating and the inlets are made from ABS plastic that is non corrosive, resistant to chemical staining and UV degradation.

Simple Installation

As each section of the grating is a snap fit. The grates can be easily installed on a slope if desired and this will minimise any splash out.



Warranty

The new commercial circulation system accessories are covered by Waterco's comprehensive 12 month warranty.

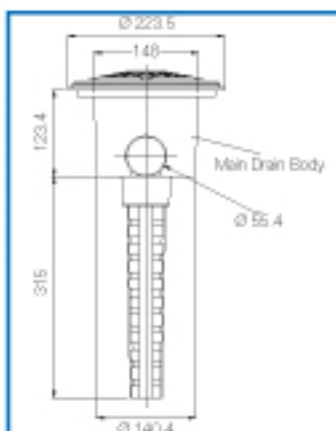
Circulation Accessories



Waterco Main Drains

Waterco Main Drains are manufactured using the highest quality, impact resistant thermoplastic (ABS plastic). Main Drain incorporates a Hydrostatic valve. This valve will safeguard and stop your pool from lifting out of the ground or "popping" when the water level is low or when there is water under the pool. The long ground water spear detects underground water at a greater depth and causes the hydrostatic valve to release it before it can build up to a level that may damage your pool.

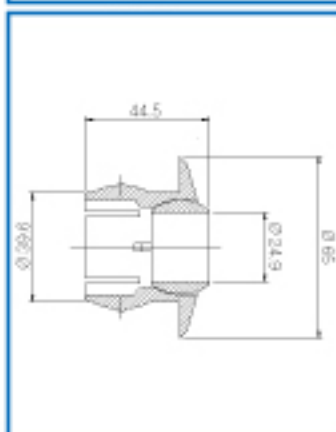
Waterco Main Drains are available in white and beige.



Eyeball Fittings - Concrete Pools

- > Slip fit tail has crosshair slots for easy access into 40mm pipe
- > Adjustable eyeball to assist directional flow of water
- > Flush fitting wall collar
- > Max flow rate: 245 lpm
- > Available in black, white and brown
- > Also available in white with 50mm slip fit tail

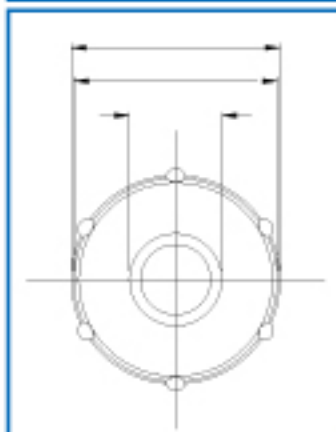
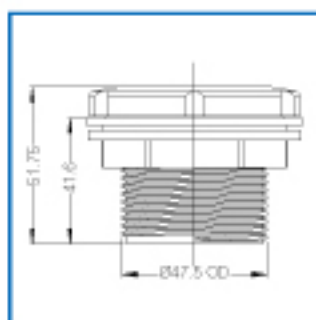
Slip Fit
For Concrete Pools



Eyeball Fittings - Fibreglass Pools

- > Available as threaded unit with back nut or a 40mm thread.
- > Only available in white

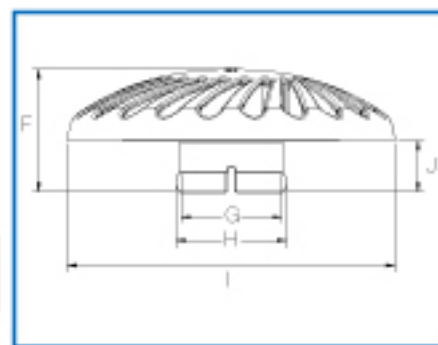
Threaded
For Fibreglass Pools



Suction fittings

- > Slip fit tail has crosshair slots for easy access into 40mm or 50mm pipe.
- > Low profile for minimal intrusion into the pool
- > Suction area of 7500mm²
- > Max flow rate: 245 lpm
- > Available in white, brown and beige
- > Also available in white with 50mm threaded tail

Model	F	G	H	I	J
453496	62mm	Ø40mm	Ø44.7mm	Ø165.9mm	26mm
453497	62mm	Ø50mm	Ø55.8mm	Ø165.9mm	26mm



DISTRIBUTED BY:

www.kolamrenang.web.id

WATERCO
Water, the liquid of life



ZZB1204 09/06