



Micron Fibreglass Filters

Proven Strength and Durability



Micron fibreglass filters are known throughout the industry for their impressive performance and reliability. Manufactured from the highest grade of non corrosive materials and applying the latest in fibreglass winding technology, Micron fibreglass filters are designed and built for many years of trouble free operation.

- UV and corrosion resistant
- Hydraulically balanced lateral configurations
- Pressure rated at 250 kPa
- Top Mount, Side Mount and Deep Bed configurations.



Established since 1981, Waterco is an Australian public listed company involved in the manufacture and distribution of:
 Swimming pool/spa equipment and chemicals
 Domestic water filters, softeners and purifiers
 Commercial and Industrial water treatment equipment.

Waterco's research & development team has created an innovative range of award winning products. The company's advanced fibreglass winding and pioneering plastic moulding techniques have delivered premium quality products to over 40 countries via its branches operating in Australia, New Zealand, Malaysia, China, the United Kingdom, United States of America, Canada and Indonesia.



DISTRIBUTED BY:



ZZB1271 02/10

Micron Side Mount Technical Specification

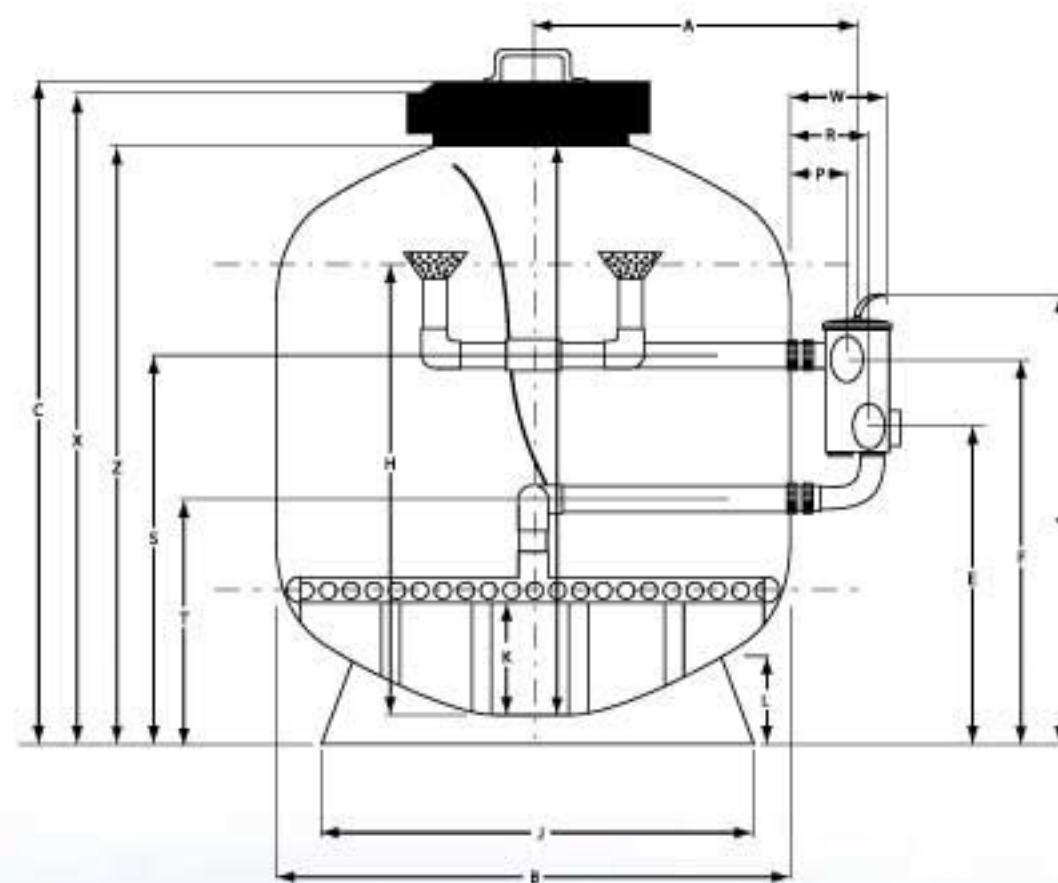
Filter Model	Valve Size (mm)	Inner Diameter (mm)	Filter Area (m ²)	Bed Depth (mm)	Max. Flow (lpm)	Max. Pool Size** (litres)	Backwash flowrate (lpm)	Media Volume (litre)	Sand 16/30 (kg)	Zeoplus 1-2.2 (kg)
SM600	40	600	0.28	360	226	81,000	189	113	165	136
SM750	50	750	0.44	400	353	127,000	295	195	285	234
SM900	50	900	0.64	440	509	183,000	424	301	440	362

Residential flow rate based on a velocity of 48m³/hr/m². Max. pool size is based on a 6 hr turnover.



Micron Side Mount Dimension (mm)

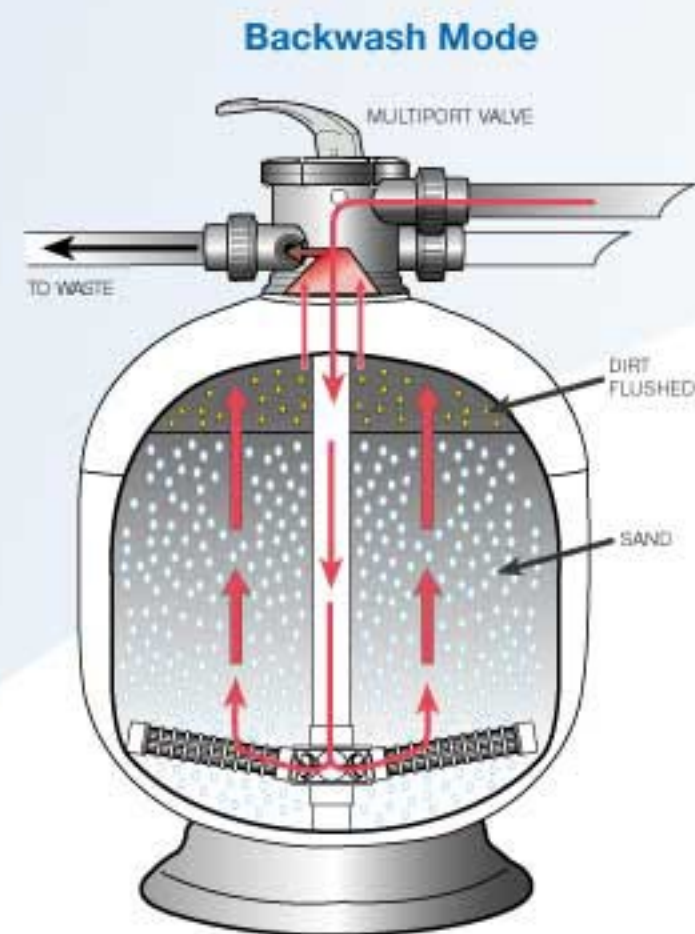
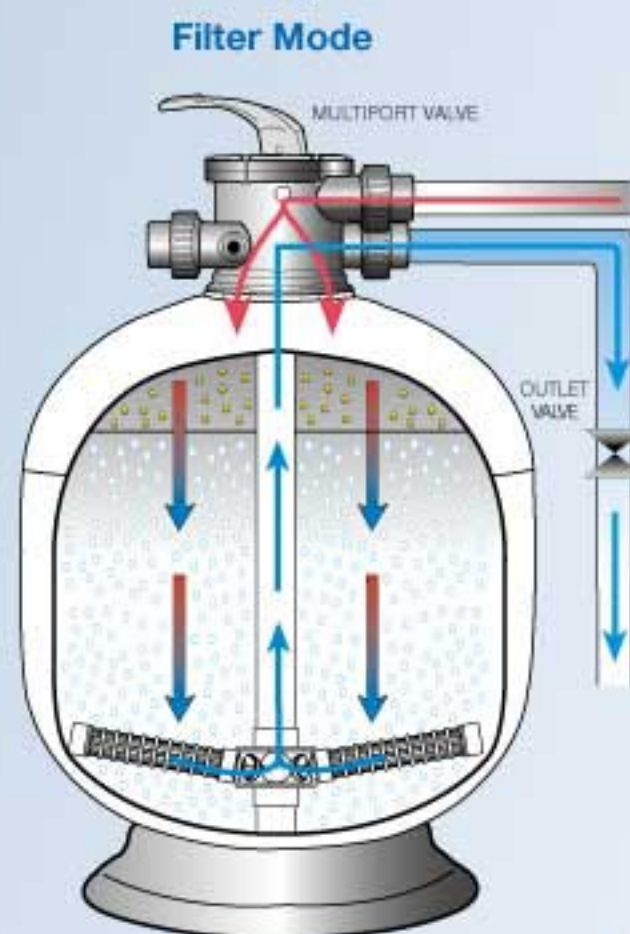
Model	A	B	C	W	R	P	E	F	K	V	H	L	X	Y	Z	J	S	T
SM600	526	622	906	306	249	171	520	574	105	690	601	87	873	718	800	484	520	317
SM750	613	772	976	334	262	191	541	643	113	763	652	90	943	800	870	620	541	337
SM900	689	923	1086	334	262	191	591	693	113	860	750	90	1053	850	980	620	591	387



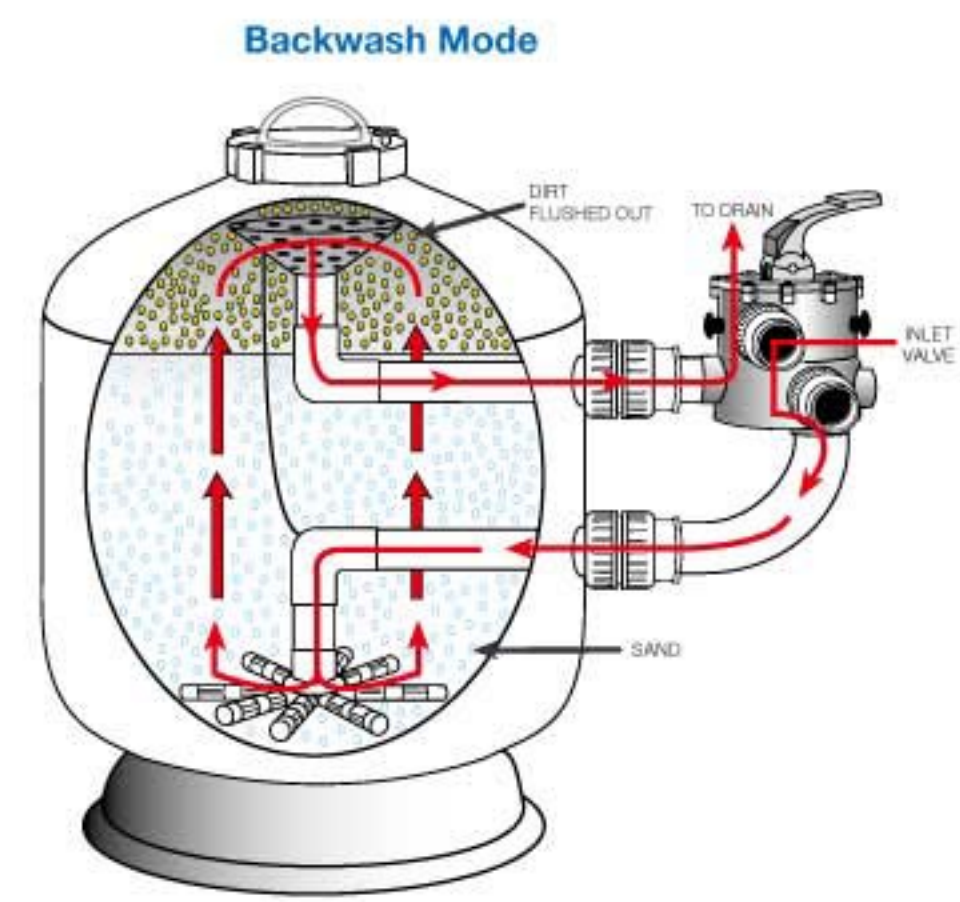
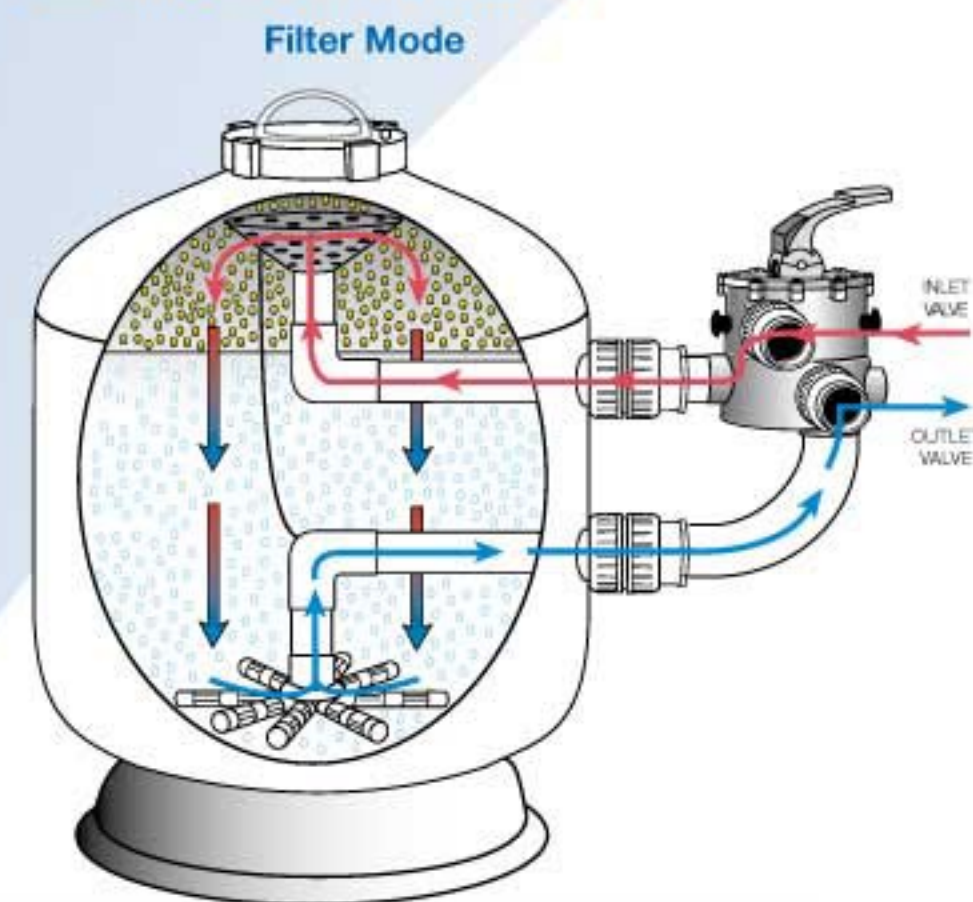
Micron Fibreglass Filters

Micron filters operate on the basis of "depth filtration"; dirt is driven through the filter bed and trapped in minute spaces between the particles of filter media allowing the cleansed water to pass through the filter's laterals and exit via the filter's Multiport valve.

Top Mount Configuration



Side Mount Configuration



Simple Maintenance

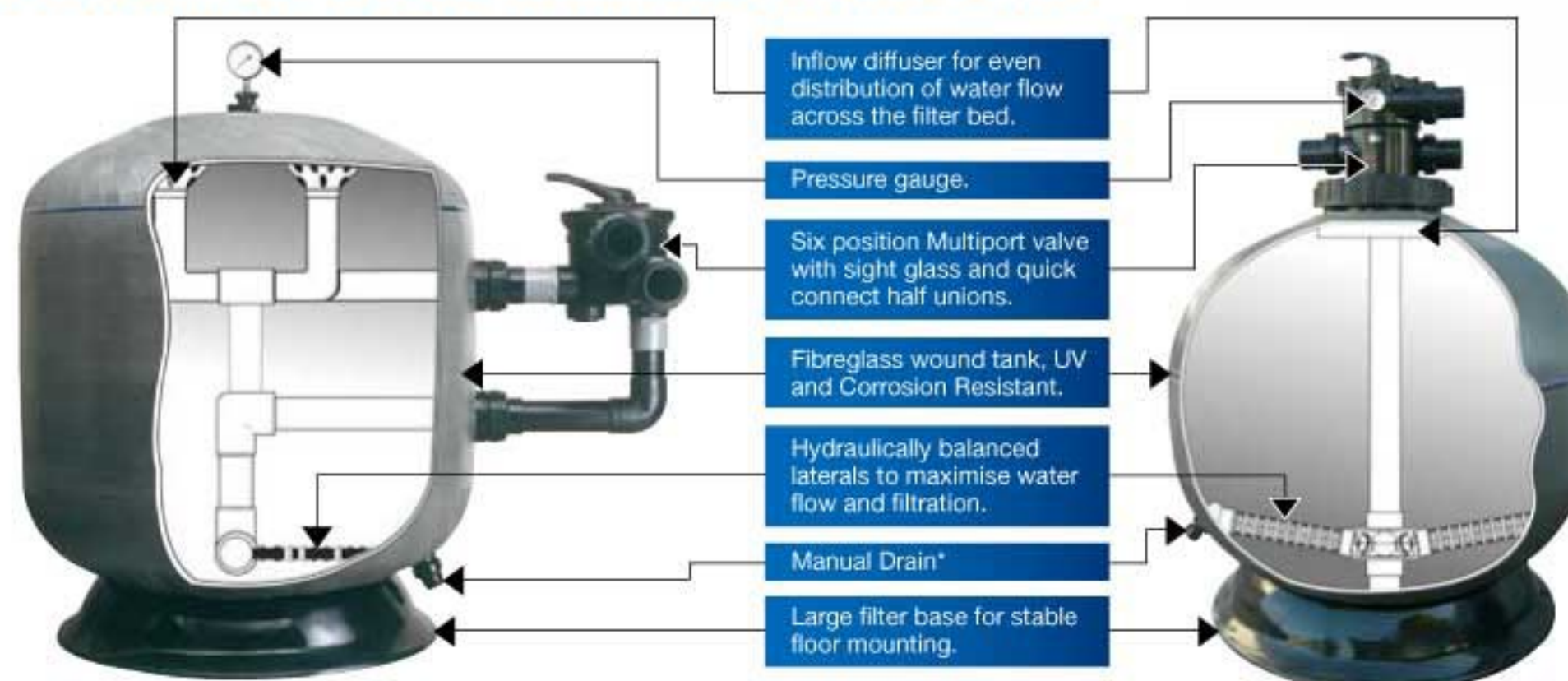
The effectiveness and efficiency of the filter is impaired by excessive build up of debris, clogging the media, which will result in pressure build up and poor circulation. Cleaning the filter simply requires turning the filter's Multiport lever from the "filter" position to the "backwash" position, which reverses the flow of water in the filter, flushing the filter bed.

Filament Wound Filters

Micron fibreglass filters embody the latest in fibreglass winding technology. Micron fibreglass vessels consist of an inner shell of fibreglass reinforced polyester resin wound over with fibreglass filament. Waterco's digitally controlled filament winding machine faultlessly winds continuous strands of high quality fibreglass filament under controlled tension filament to create a seamless one-piece vessel with refined consistency and superior quality. There are no welds or seams or special tank linings which can corrode or electrolyse.



Waterco Micron Top and Sidemount Fibreglass Filters

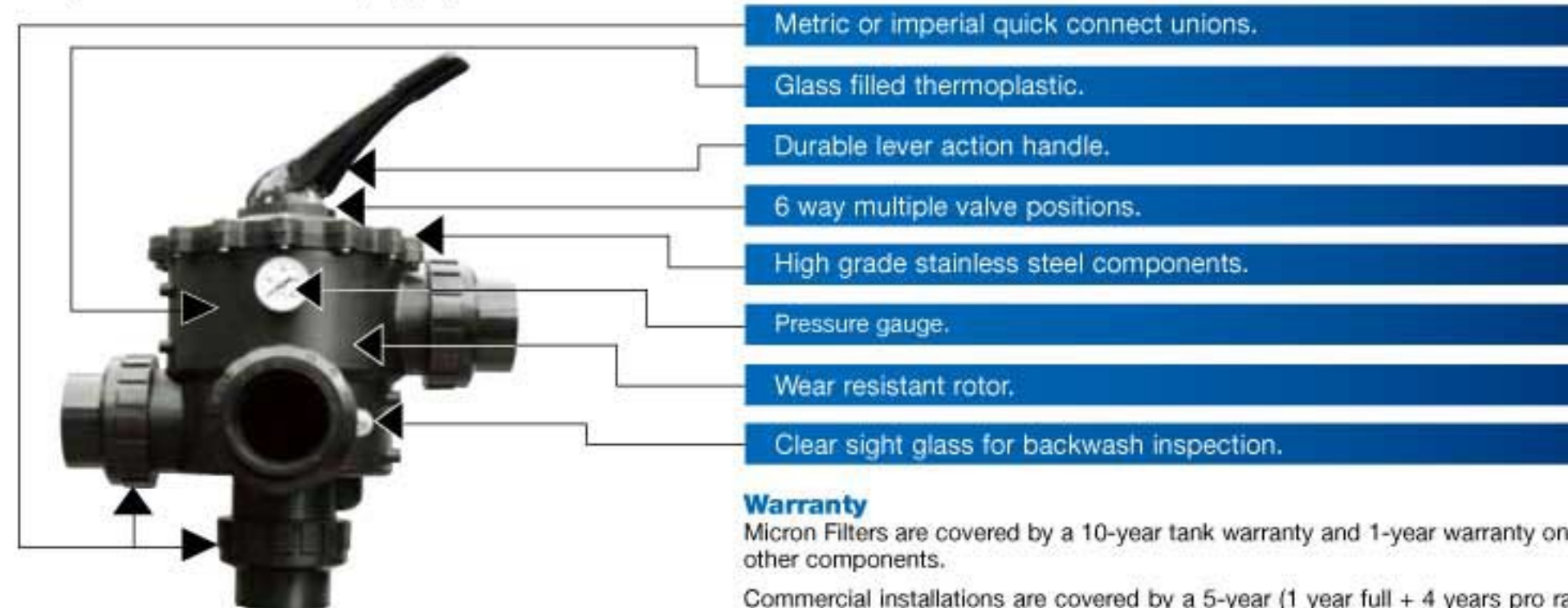


Waterco Sidemount Fibreglass

- Working pressure 250 kPa (36 psi)
- Extra reinforcement to increase the working pressure rating to 400 kPa (58 psi) is available on request.
- Maximum working temperature of 50°C (122°F)

Waterco Multiport Valves

Constructed from heavy duty ABS, Waterco Multiport valves are designed for maximum performance and working pressures. Waterco Multiport valves are engineered to withstand a working pressure of up to 400 kPa (58 psi) with a test pressure of 600 kPa (87 psi).



Metric or imperial quick connect unions.

Glass filled thermoplastic.

Durable lever action handle.

6 way multiple valve positions.

High grade stainless steel components.

Pressure gauge.

Wear resistant rotor.

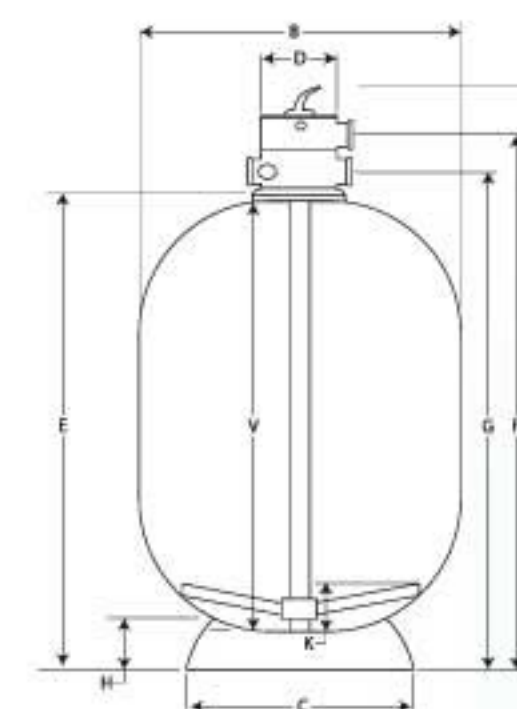
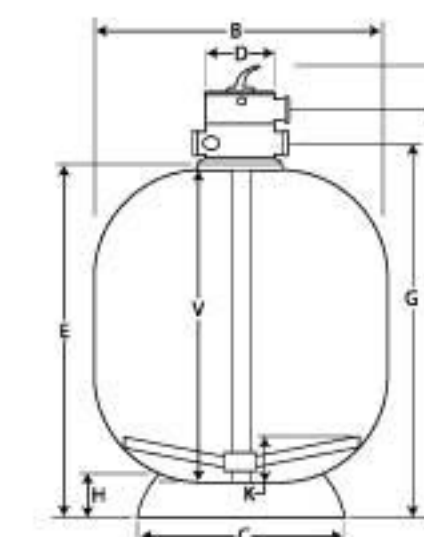
Clear sight glass for backwash inspection.

Warranty

Micron Filters are covered by a 10-year tank warranty and 1-year warranty on all other components.

Commercial installations are covered by a 5-year (1 year full + 4 years pro rata) tank warranty and 1-year warranty on all other components.

Please refer to Waterco's warranty terms and conditions



Micron Top Mount Technical Specification

Filter Model	Valve Size (mm)	Inner Diameter (mm)	Filter Area (m ²)	Bed Depth (mm)	Max. Flow (lpm)	Max. Pool Size** (litres)	Backwash flowrate (lpm)	Media Volume (litre)	Sand 16/30 (kg)	Zeoplus 1-2.2 (kg)
S500	40	500	0.20	280	157	57,000	131	65	95	78
S600	40	600	0.28	295	226	81,000	189	106	155	127
S700	40	700	0.38	330	308	111,000	257	158	230	189
S702	50	700	0.38	340	308	111,000	257	154	225	185
S750	50	750	0.44	340	353	127,000	295	178	260	214
S800	50	800	0.50	420	402	145,000	335	233	340	279
S900	50	900	0.64	420	509	183,000	424	322	470	386

Residential flow rate based on a velocity of 48m³/hr/m². Max. pool size is based on a 6 hr turnover.

Micron Top Mount Dimension (mm)

Model	A	B	C	D	E	F	G	H	V	K
S500	864	505	443	180	625	731	672	69	525	94
S600	968	622	540	180	721	832	778	88	620	136
S700	932	723	620	180	692	801	743	90	650	139
S702	1072	723	620	220	722	892	792	90	652	122
S750	1217	772	620	220	867	1037	937	90	773	127
S800	1157	810	620	220	807	977	877	90	713	111
S900	1234	910	620	220	884	1054	954	90	785	163

Micron Top Mount Deep Bed Filter

Micron Deep Bed Filters are designed with a guaranteed filter bed depth of 500mm, providing enhanced in-depth filtration and increased dirt capacity.

Micron Top Mount Deep Bed Technical Specification

Filter Model	Valve Size (mm)	Inner Diameter (mm)	Filter Area (m ²)	Bed Depth (mm)	Max. Flow (lpm)	Max. Pool Size** (litres)	Backwash flowrate (lpm)	Media Volume (litre)	Sand 16/30 (kg)	Zeoplus 1-2.2 (kg)
SD400	40	400	0.13	500	101	36,000	84	68	100	82
SD500	40	500	0.20	500	157	57,000	131	105	154	127
SD600	40	600	0.28	500	226	81,000	189	161	235	193
SD750	50	750	0.44	500	353	127,000	295	247	360	296
SD900	50	900	0.64	500	509	183,000	424	377	550	452

Residential flow rate based on a velocity of 48m³/hr/m². Max. pool size is based on a 6 hr turnover.

Micron Top Mount Deep Bed Dimension (mm)

Model	A	B	C	D	E	F	G	H	V	K
SD400	1220	405	356	160	953	1084	1005	61	846	57
SD500	1220	505	443	160	953	1084	1005	69	846	57
SD600	1220	624	540	160	953	1084	1005	88	828	69
SD750	1320	776	678	220	970	1140	1040	120	838	125
SD900	1372	910	678	220	1022	1192	1092	120	880	172